

DATA SHEET

GEAR PUMPS R36, R46



RICKMEIER[®]
PUMPENTECHNOLOGIE

Reliability makes us strong

With more than 230 employees, RICKMEIER develops, manufactures and sells gear pumps, valves and oil supply systems at its site in Balve/South Westphalia. RICKMEIER is a family business which has grown over generations. We work according to international quality standards and reliability is lived! Reliability means honesty, responsibility, conscientiousness, loyalty, thoroughness and care. These terms are the ethos of the RICKMEIER company and characterise the daily cooperation with customers, employees, suppliers and other partners. The result is products and services that have been awarded the title "Made in Germany" and are appreciated all over the world. The high level of competence of the employees and the know-how that has grown over many years create trust and a high degree of customer satisfaction on the way from a successful Sauerland company with an international customer structure to a global high performer.

The new R6 pump series is the result of decades of experience in the development and manufacture of gear pumps and the willingness to realise changing market and customer requirements. In addition to evolutionary technical innovations, RICKMEIER presents with the R6 pump series a new, clearly defined and aesthetically high-quality product language. In the field of industrial product design, the pumps were awarded the iF Design Award 2021.

Milestones

- **2022**
Commissioning of the automation cell
- **2021**
Expansion of the new test facility and introduction of the of the R6 pump series
- **2020**
Commissioning of the new chilled water plant
- **2016**
Commissioning of new series test field
- **2014**
One hundred years of RICKMEIER
- **2007**
Doubling of the production and office space at the current Balve location
- **2002**
Expansion of the Balve site
- **1997**
Christiane Schulz becomes managing partner
- **1990/1995**
Expansion of the Balve site
- **1980**
Establishment of the plant engineering department
- **1976**
Complete relocation of production from Werdohl to Balve
- **1972**
Hans Schulz joins the company and takes over as managing director
- **1962**
Opening of a branch factory in Balve
- **1956**
Construction of a new production plant in Werdohl
- **1944**
Heinz Rickmeier joins the company and takes over as managing director
- **1940**
Rudolf Rickmeier gives his name to the company
- **1923**
Rudolf Rickmeier acquires a stake in the company
- **1914**
Company founded at the Werdohl site by Paul Hillebrand

Content

1 Description	4
1.1 Design	4
1.2 Product description	4
2 Direction of rotation and delivery	5
2.1 Determining the direction of rotation	5
3 Standard design and variants	6
3.1 Materials	6
3.2 Shaft seal	6
4 Designation and configuration	8
4.1 Type key	8
5 Technical data	9
5.1 Operational limits	9
5.2 Operating data	10
6 Dimensional sheets of gear pumps	11
6.1 Size R36	11
6.2 Size R46	12

1 Description

1.1 Design

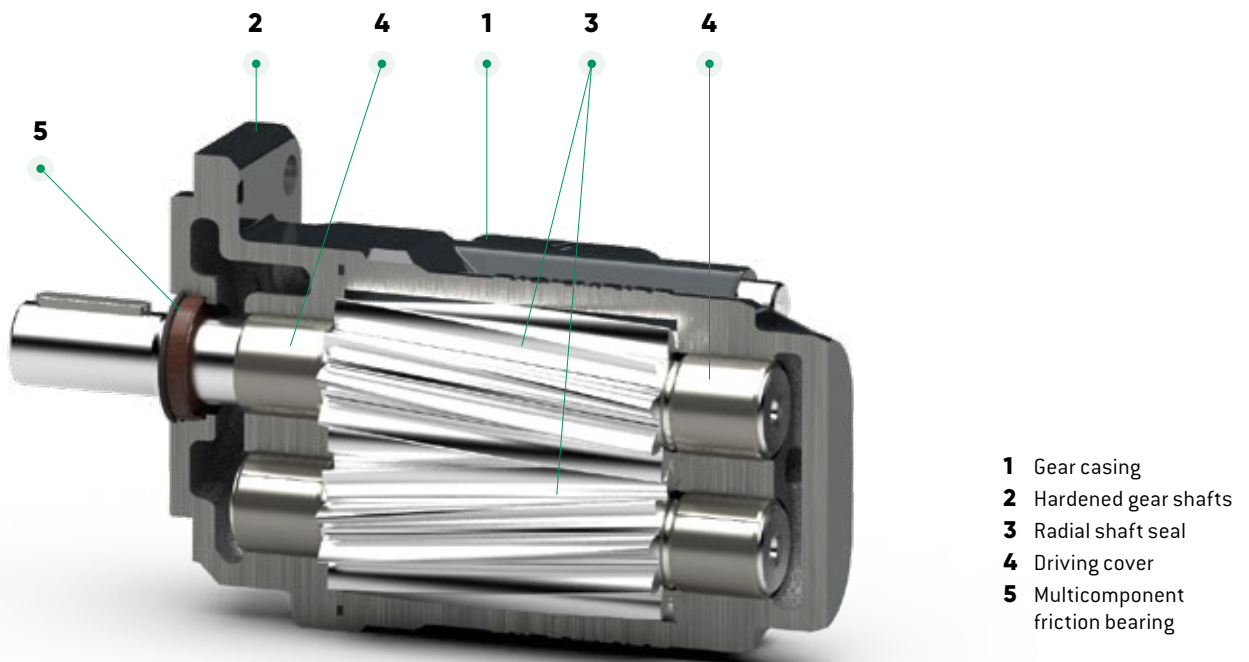


Fig. 1: Gear pump - standard design

1.2 Product description

RICKMEIER gear pumps in the R6 series are characterised by a simple and robust structure. **Optimised flow** channels ensure **good priming characteristics** and **quiet running**. Together with a special design of the toothing and the gear casing, an **extremely low noise level** is ensured during operation. In particular when pumping foamed oil, a special casing finish ensures additional **noise reduction**.

The casings of the standard version are made of grey cast iron, the gear parts of hardened steel. Generously dimensioned, **lead-free multicomponent** friction bearings have a **long service life** and **very good dry-running properties**. The shaft seal is designed as standard with a **friction-optimised radial shaft seal**. In addition, numerous sealing variants are possible.

2 Direction of rotation and delivery

2.1 Determining the direction of rotation

Unless otherwise stated, the gear pump direction of rotation is "clockwise" when looking at the face of the driving gear shaft (see the following figure).

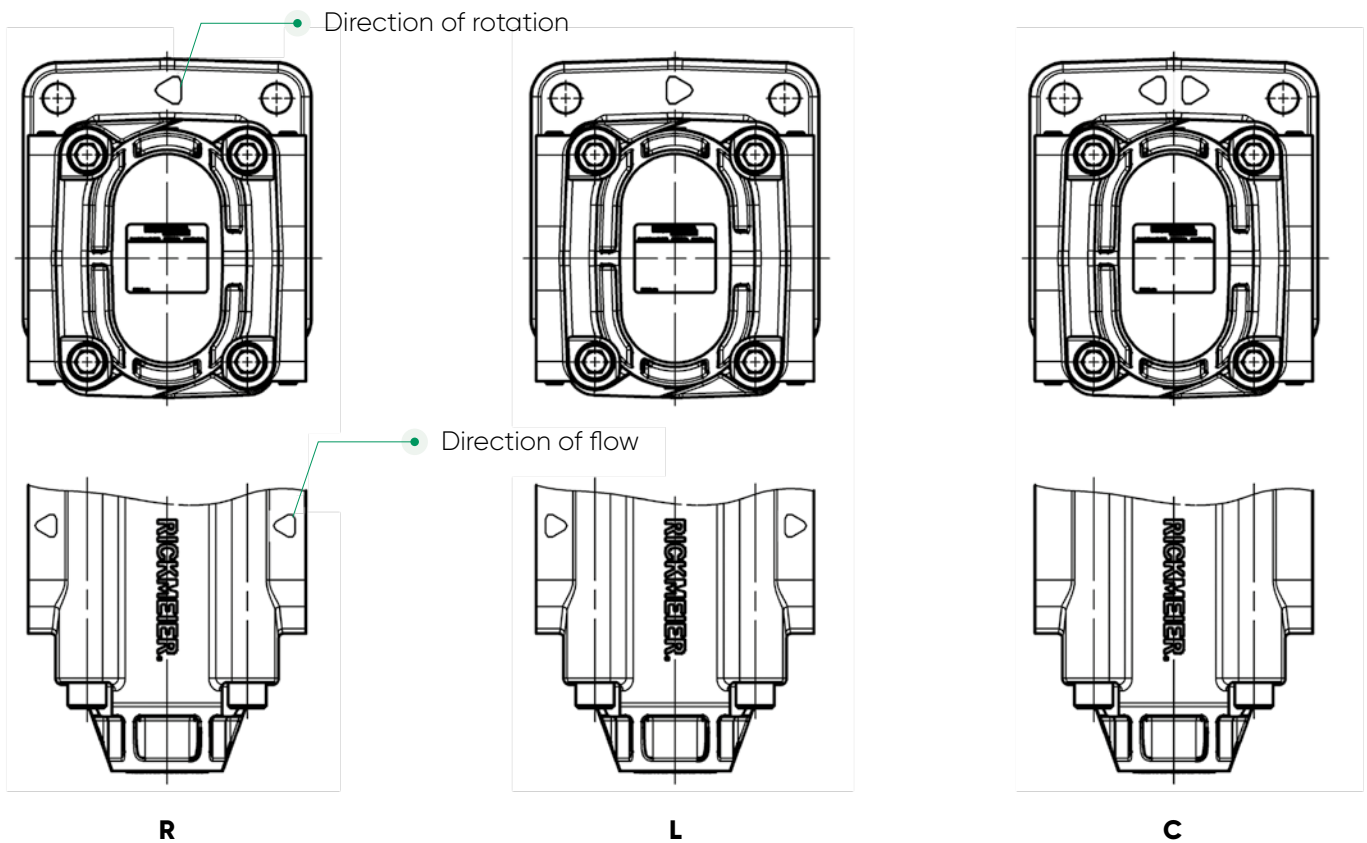


Fig. 2: Direction of rotation and delivery

[Direction of rotation R: clockwise; direction of rotation L: anti-clockwise; direction of rotation C: clockwise and anti-clockwise]



Note

When the optional C version is equipped, the gear pumps can be operated in both clockwise and anti-clockwise rotation (with changing direction of delivery). This version is only possible in the case of gear pumps without a pressure relief valve.

3 Standard design and variants

The variable modular system of RICKMEIER gear pumps in the R6 series makes it possible to implement a wide variety of material, casing, sealing and functional variants.




For pumping special media, the gear pumps can also be equipped with other sealing materials (e.g. NBR, HNBR, PTFE, EPDM etc.). Just contact us.



3.1 Materials

	Standard
Casing	EN-GJL-250 (GG-25)
Gear wheel shafts	Case-hardened steel (16MnCrS5)
Radial shaft seals	FKM
Mechanical seals	Hard carbon/SiC
O-rings	FKM
Friction bearing	Lead-free composite bearing
Corrosion protection	2-component paint, RAL 7021

Tab. 1: Materials

3.2 Shaft seal

W	Single radial shaft seal	
WD	Single radial shaft seal for inlet pressure >0.5 bar to max. 5 bar (depending on the speed)	
2WT	<i>Double radial shaft seal sealing to the pump and externally For media separation</i>	
2WS	<i>Double radial shaft seal sealing to the pump For special flow media, with liquid reservoir (optionally with container)</i>	
2WV	<i>Double radial shaft sealing to the liquid reservoir For vacuum applications, with liquid reservoir (optionally with container)</i>	Similar to illustration "2WS"

GLRD	Mechanical seal	
VLW	Attachment bearing with single radial shaft seal	
VL	Attachment bearing without seal	Similar to illustration "VLW"
MK	Magnetic coupling	Without illustration
OD	Without seal	Without illustration

Tab. 2: Shaft seal design variants

4 Designation and configuration

4.1 Type key

The designation of the RICKMEIER gear pumps in the R6 series is made according to the following key:

Order example

R46/	160	FL	-	Z	-	W	-	SAE2.1/2	-	R	-	...
1.	2.	3.		4.		5.		6.		7.		8.

Type key

1.	Series R6		
2.	Vg/revolution in cm ³		
3.	Design	FL	Flange
4.	Shaft end	Z	Cylindrical
		K	Cone 1:10
		M	Tappet
		V	Gearing DIN 5480
5.	Shaft seal	W	Single radial shaft seal
		WD	Single radial shaft seal for inlet pressure >0.5 bar
		2WT	Double radial shaft seal sealing to the pump and externally
		2WS	Double radial shaft seal sealing to the pump
		2WV	Double radial shaft sealing to the liquid reservoir
		GLRD	Mechanical seal
		VL	Attachment bearing without seal
		VLW	Attachment bearing with single radial shaft seal
		MK	Magnetic coupling
6.	Connection size	SAExx	Suction line and pressure side the same
		SAExx/SAExx	Suction/pressure side different
7.	Direction of rotation	R	Clockwise
		L	Anti-clockwise
		C	Clockwise and anti-clockwise
8.	Special design	"empty"	Standard or predefined optional design
		SO	Special design

5 Technical data

The technical data in this catalogue are intended for general information. During installation, operation and maintenance, the operating instructions and the information specified on the products must be observed.

5.1 Operational limits

The maximum permissible operating conditions for gear pumps in the standard version are described in the following. Contact RICKMEIER whenever it is necessary to exceed these specifications. In such cases, please contact our [Sales](#) department.

As a prerequisite for a long service life and maximum operational safety, the flow medium must retain its lubricity and, if possible, be clean and non-corrosive, but in any case must always be free of hard admixtures. Consideration must be given also to the following:

Properties	Min.	Max.	
Flow medium	Kinematic viscosity	5 mm ² /s ¹⁾	20000 mm ² /s ¹⁾
	Degree of contamination (according to ISO 4406:2021-01, max.)		21/19/17
	Gas content (undissolved, max.)		10 Vol.-% ²⁾
	Temperature (FKM seals)	-25 °C	150 °C ³⁾
Inlet pressure (constant pressure in accordance with DIN 24312) ⁴⁾	Radial shaft seal, standstill	-0,5 bar	5 bar
	Radial shaft seal during operation	-0,4 bar ⁵⁾	0,5 bar ⁶⁾
	Mechanical seal	-0,4 bar ⁵⁾	10 bar ⁷⁾
	Magnetic coupling	-0,4 bar ⁵⁾	16 bar ⁷⁾

Tab. 3: Operational limits of the standard design

- 1) Depending on the application and operating conditions, lower and/or higher viscosities are possible, please contact us.
- 2) Undissolved gas in the flow medium leads to increased noise emissions.
- 3) If used above 120 °C, special measures may be required under certain circumstances (e.g., heat-resistant clutch); with optionally available sealing materials, different temperature ranges can be implemented.

- 4) Manometric
- 5) For speeds up to 1500 rpm, up to -0.5 bar permissible; in the short term: -0.6 bar [e.g., during start-up]
- 6) With RWDR variant WD up to 5 bar (depending on the speed)
- 7) Versions for higher pressures available on request

5.2 Operating data

Size	Delivery volume	Max. approved operating data		Flow medium
		Operating pressure	Speed	
	V_g [cm ³]	p [bar]	n [1/min]	Q [l/min]
R36	40	25	3600	57
	50			71
	63			89
	80			111
	100			138
	112			154
R46	112	25	3.000	156
	125			175
	160			228
	180			251
	200			280
	230			323

Tab. 4: Maximum approved operating data

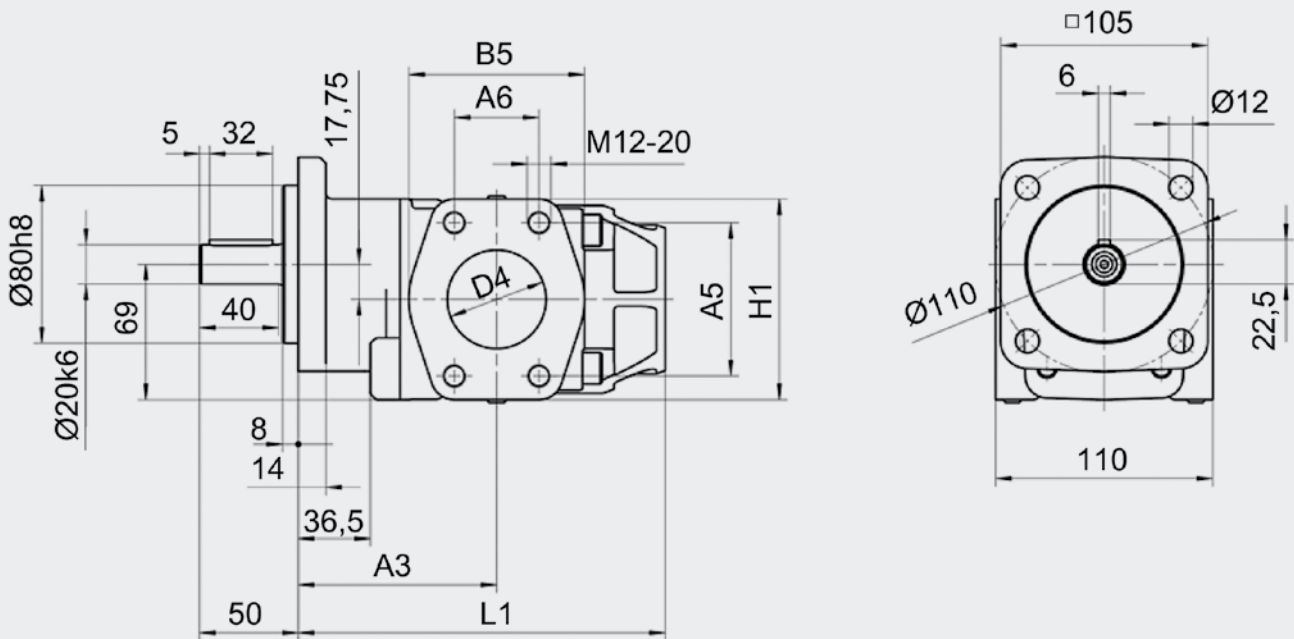
For certain operating conditions, the maximum approved operating data given in the table must not be used simultaneously. For example, avoid high operating pressures at low speed. High operating pressures in conjunction

with high speed and high viscosity are also not permissible in certain combinations. Please contact us if operation of the gear pump in these limit ranges is expected.

6 Dimensional sheets of gear pumps

The following pages contain dimensions of the gear pumps in the basic version. If you have questions about the design or special designs, please contact us.

6.1 Size R36

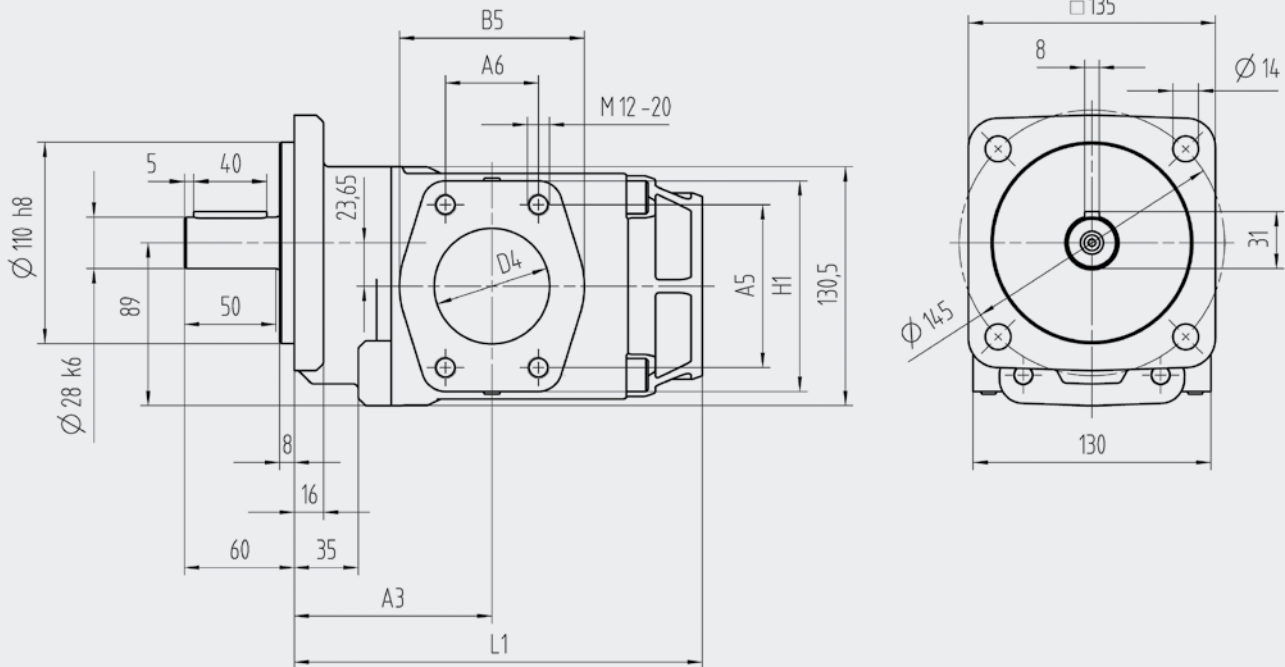


V _g [cm ³]	Suction connection					Pressure connection					Additional dimensions		Weight [kg]		
	Flange size	A5	A6	B5	D4	H1	Flange size [*]	A5 [*]	A6 [*]	B5	D4 [*]	H1		A3	L1
40															
50	SAE2 SAE1.1/2	77,8 69,9	42,9 35,7	89	50 40	101,8	SAE2 SAE1.1/2	77,8 69,9	42,9 35,7	89	50 40	101,8	100,5	185,9	8
63															
80															
100	SAE2	77,8	42,9	89	50	101,8	SAE2 SAE1.1/2	77,8 69,9	42,9 35,7	89	50 40	101,8	100,5	219,4	9,2
112															

Tab. 5: Dimensional sheet of size R36

[*] = optional

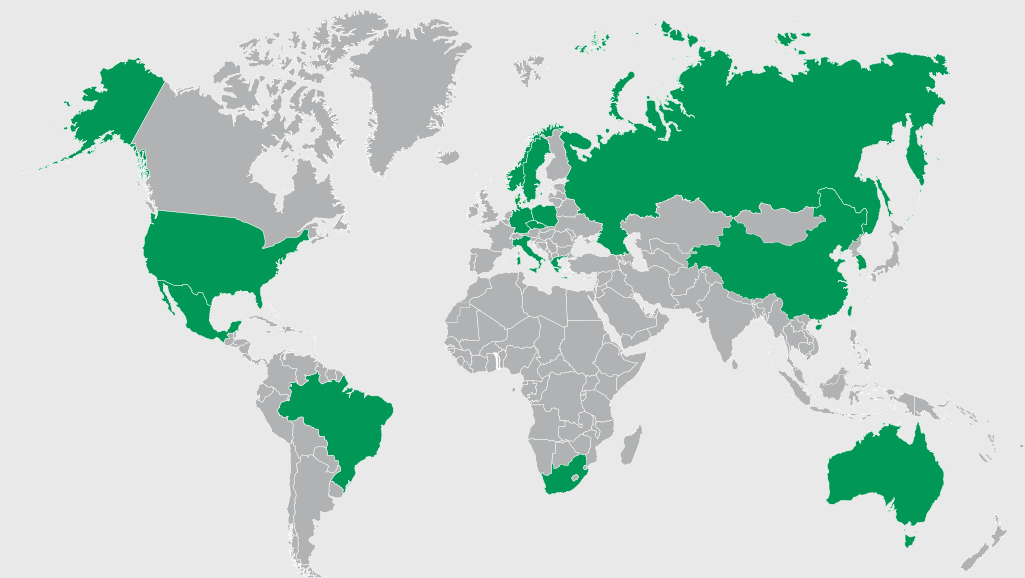
6.2 Size R46



V _g [cm ³]	Suction connection						Pressure connection					Additional dimensions		Weight [kg]	
	Flange size	A5	A6	B5	D4	H1	Flange size [*]	A5 [*]	A6 [*]	B5	D4 [*]	H1	A3		L1
112	SAE2.1/2	88,9	50,8	101	63	115	SAE2.1/2	88,9	50,8	101	63	115	108	222,9	15
125							SAE2	77,8	42,9		50				
160															
160	SAE3	106,4	61,9	124	76	135	SAE3	106,4	61,9	124	76	135	119,5	255,6	17,3
180							SAE2.1/2	88,9	50,8		63				
200															
230															

Tab. 6: Dimensional sheet of size R46

[*] = optional



Global Presence

USA	Australia
Mexico	Norway
Brazil	Russia
China	Sweden
Denmark	South Korea
Greece	Czech Republic
Italy	Poland
South Africa	



RICKMEIER.[®]
PUMPENTECHNOLOGIE

RICKMEIER GmbH
Langenholthäuser Str. 20–22
D- 58802 Balve
Fon +49 (0) 2375 927-0
Fax +49 (0) 2375 927-26
E-Mail: kontakt@rickmeier.de
www.rickmeier.de

© 2022, RICKMEIER GmbH

We reserve the right to make technical modifications.

All rights reserved. Content may not be distributed, copied, edited or shared with third parties without the express written consent of the RICKMEIER GmbH.

The delivered product may be different than the one shown.